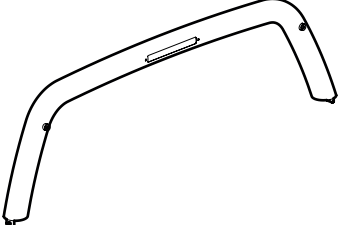
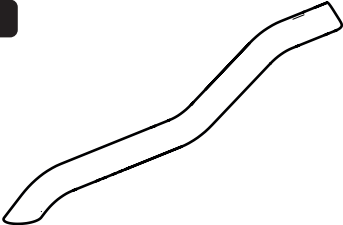
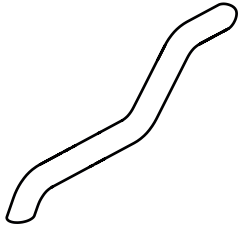
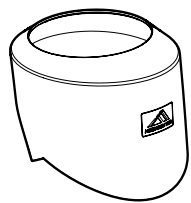
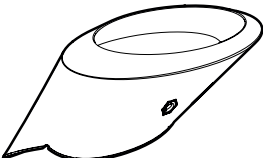
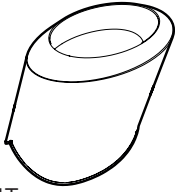


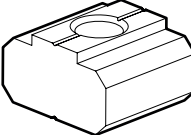
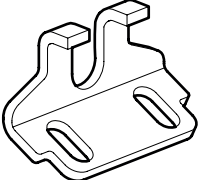
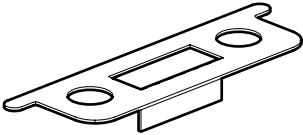
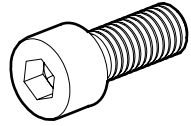
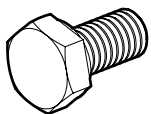
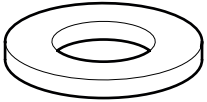
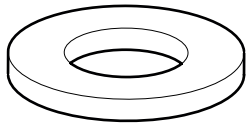
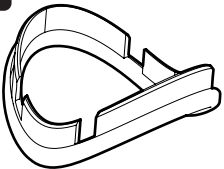


MOUNTAIN TOP[®] **SPORTS BAR**

Installation manual

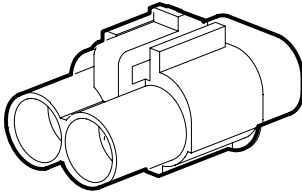
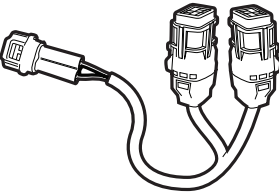
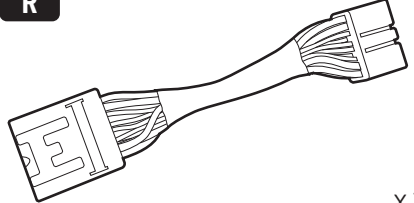
Parts

| | | |
|--|--|---|
| <p>A</p>  <p>x1</p> | <p>B</p>  <p>x1</p> | <p>C</p>  <p>x1</p> |
| <p>D</p>  <p>FRONT</p> <p>x2</p> | <p>E</p>  <p>REAR LEFT</p> <p>x1</p> | <p>F</p>  <p>REAR RIGHT</p> <p>x1</p> |

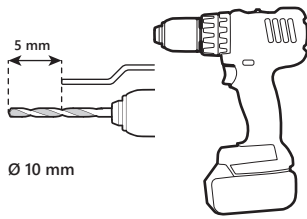
Parts

| | | | |
|---|---|---|---|
| <p>G</p>  <p>x8</p> | <p>H</p>  <p>x4</p> | <p>I</p>  <p>x4</p> | |
| <p>J</p>  <p>x6</p> | <p>K</p>  <p>x8</p> | <p>L</p>  <p>x8</p> | |
| <p>M</p>  <p>x6</p> | <p>N</p>  <p>x2</p> | <p>O</p>  <p>x2</p> | <p>Installation manual</p>  <p>x1</p> |

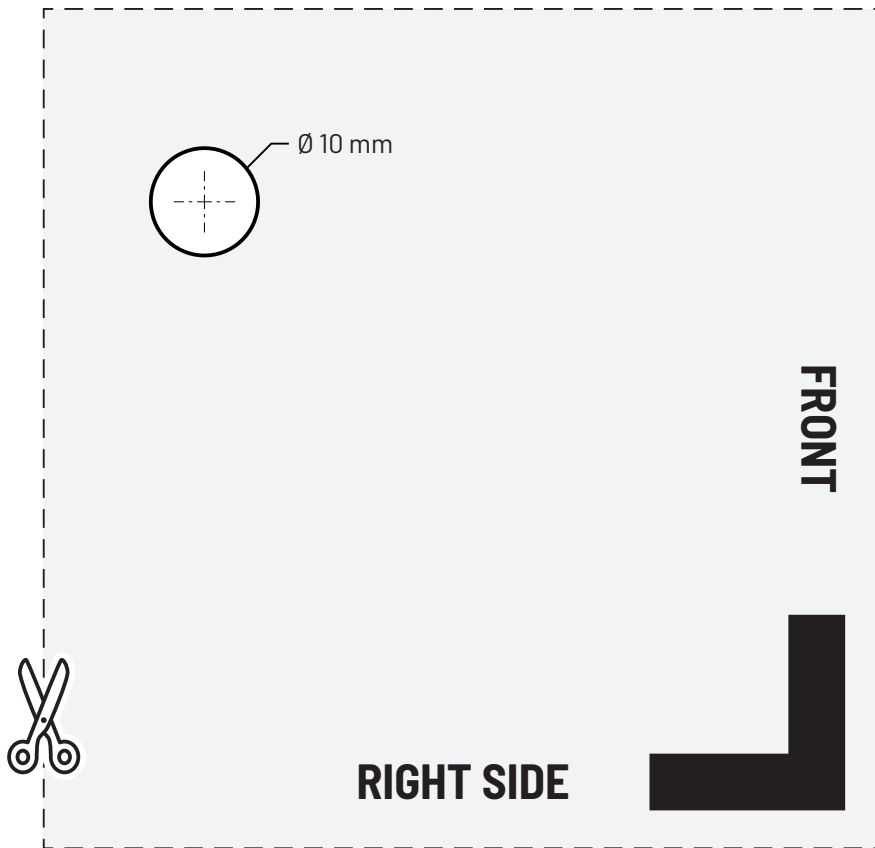
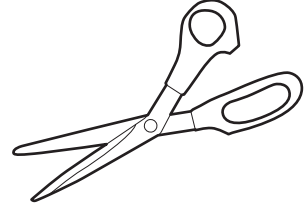
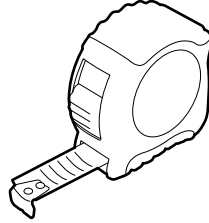
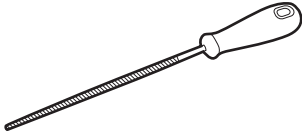
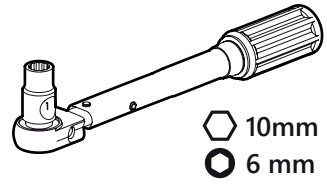
Parts

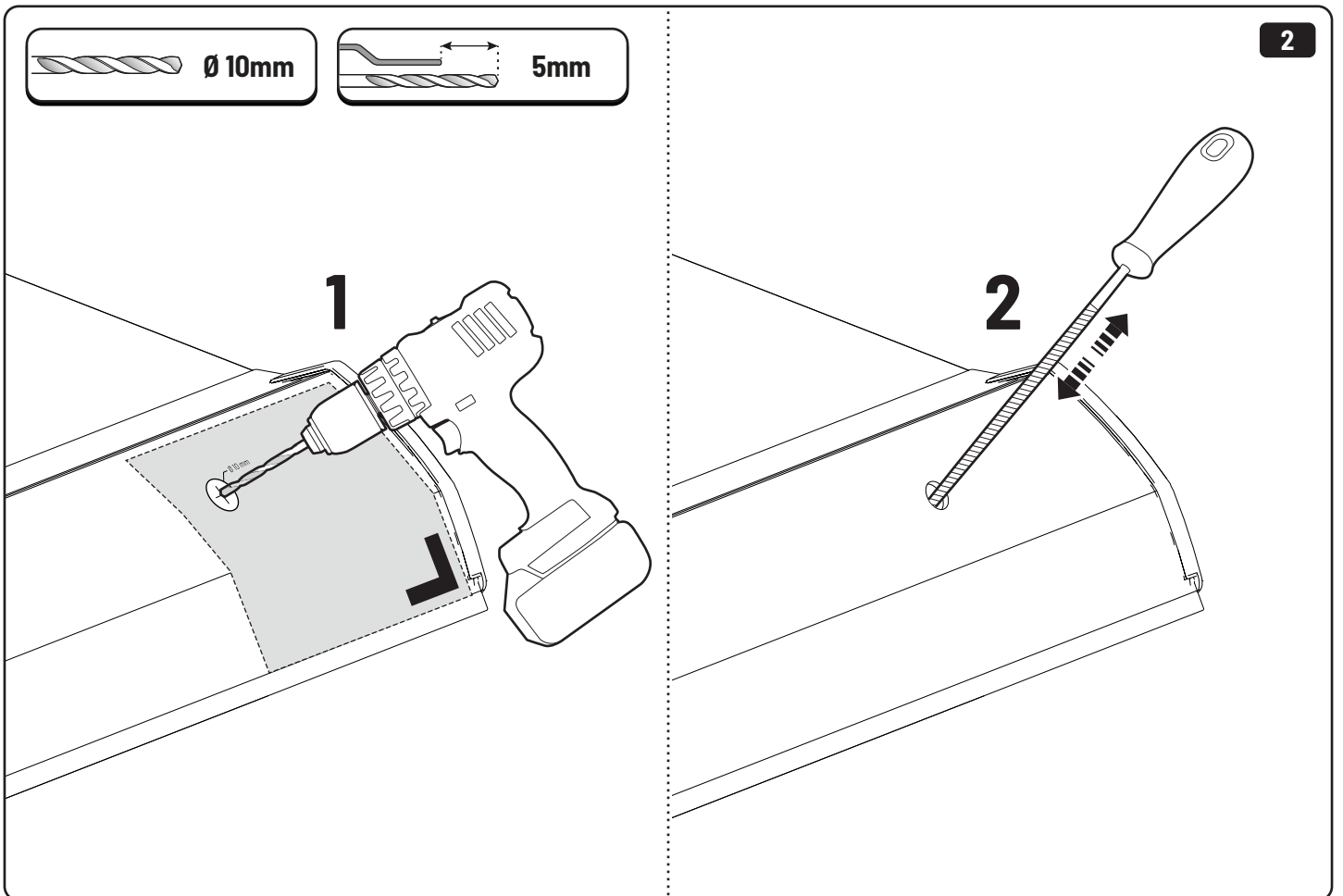
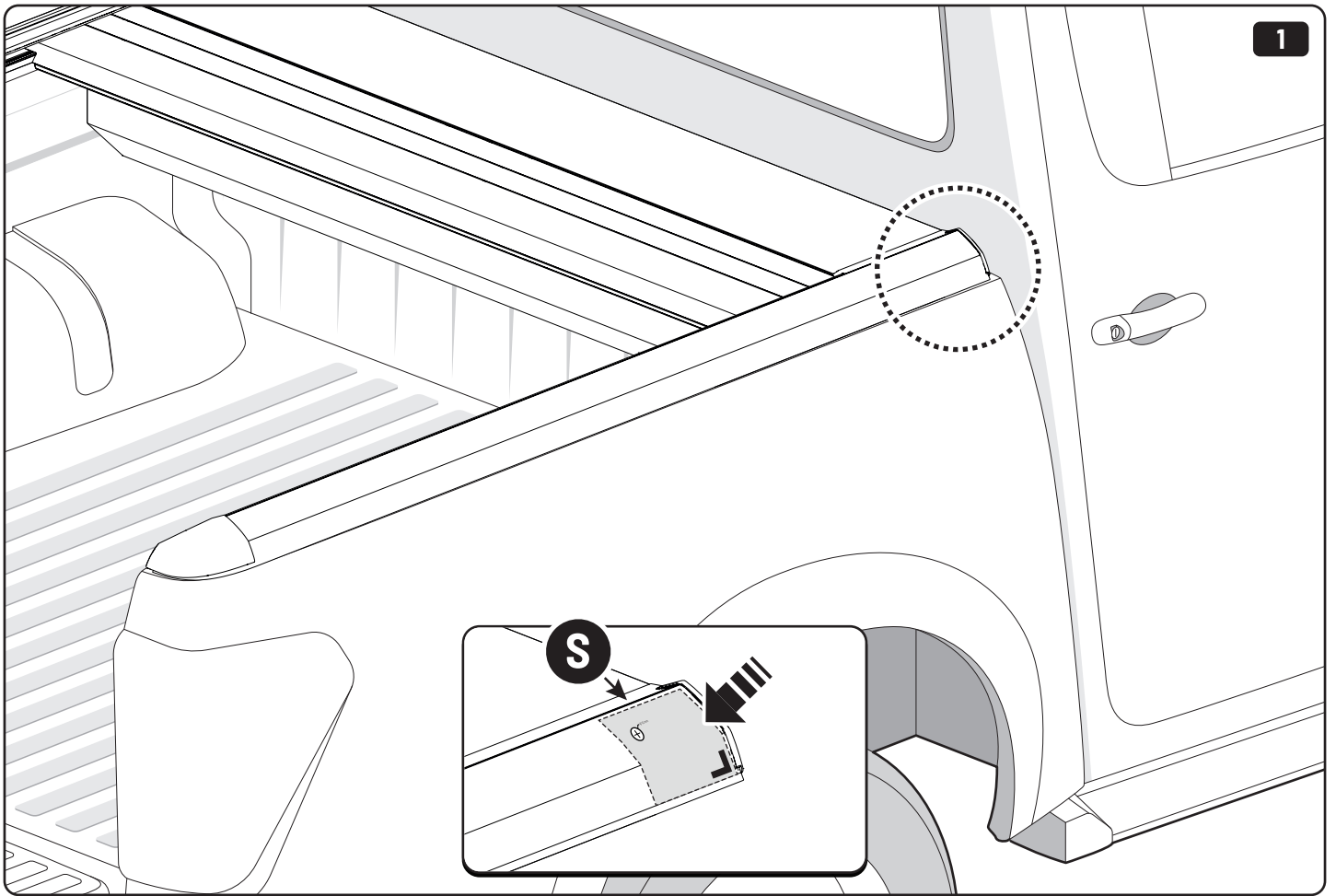
| | | |
|---|---|---|
| <p>P</p>  <p>x1</p> | <p>Q</p>  <p>x1</p> | <p>R</p>  <p>x1</p> |
|---|---|---|

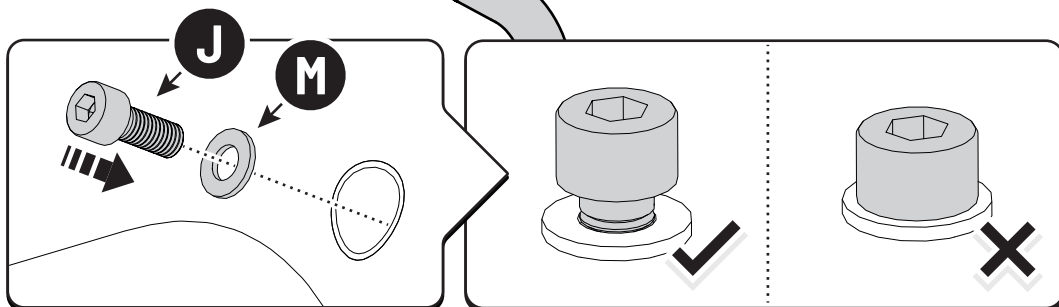
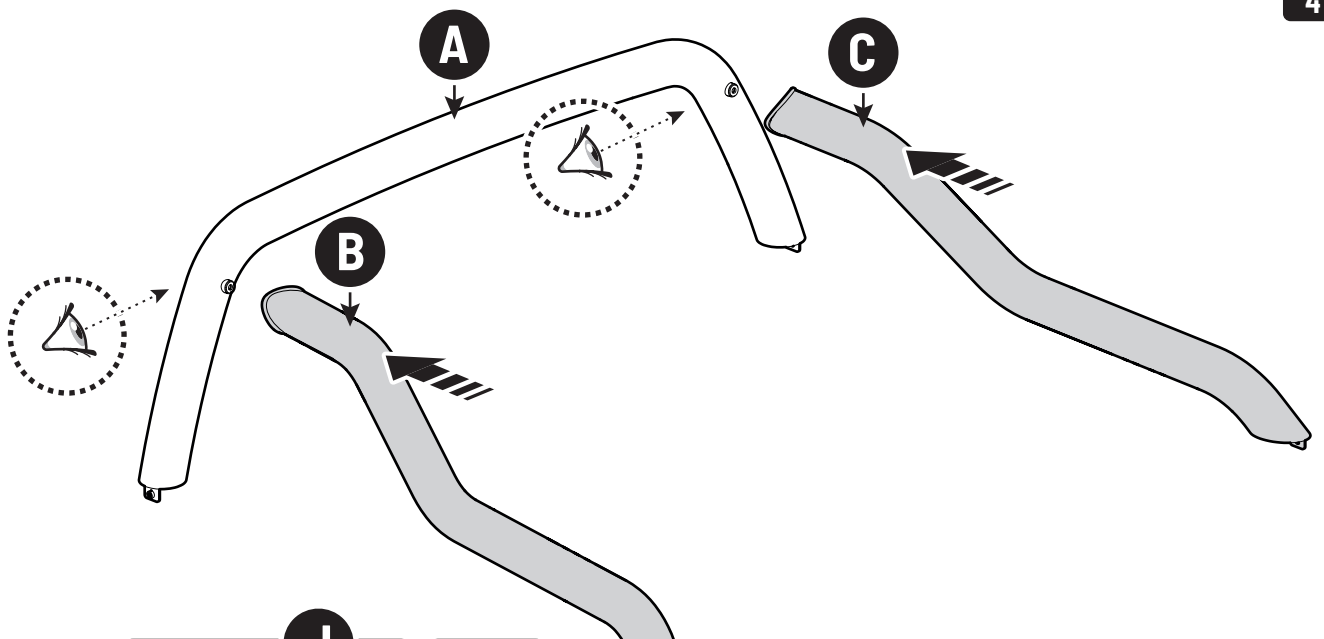
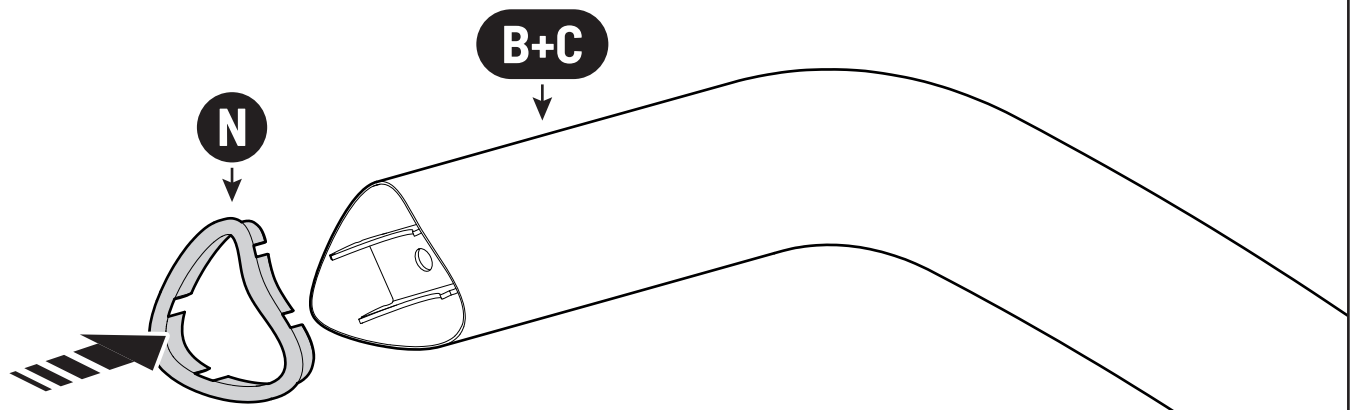
Tools and materials needed

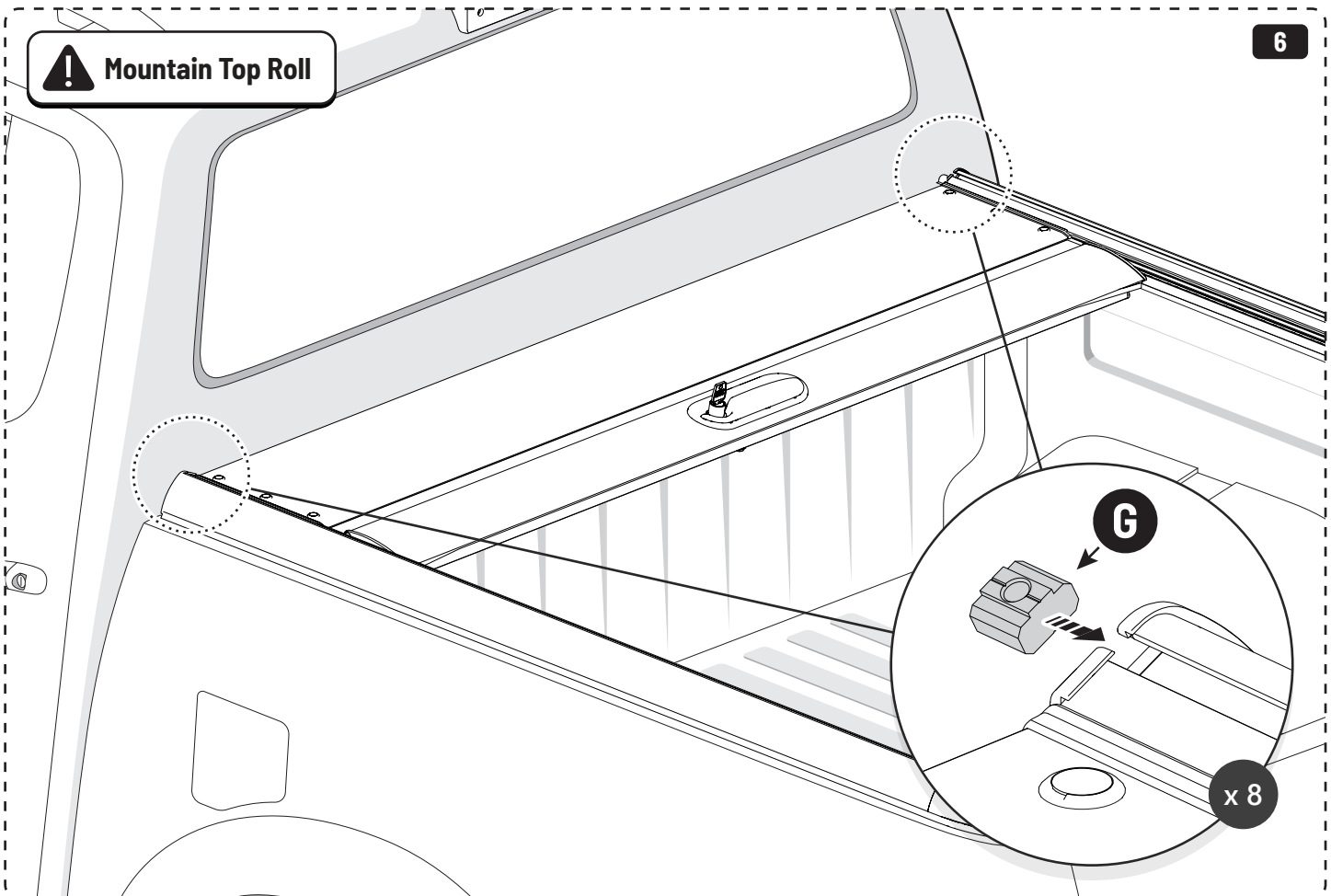
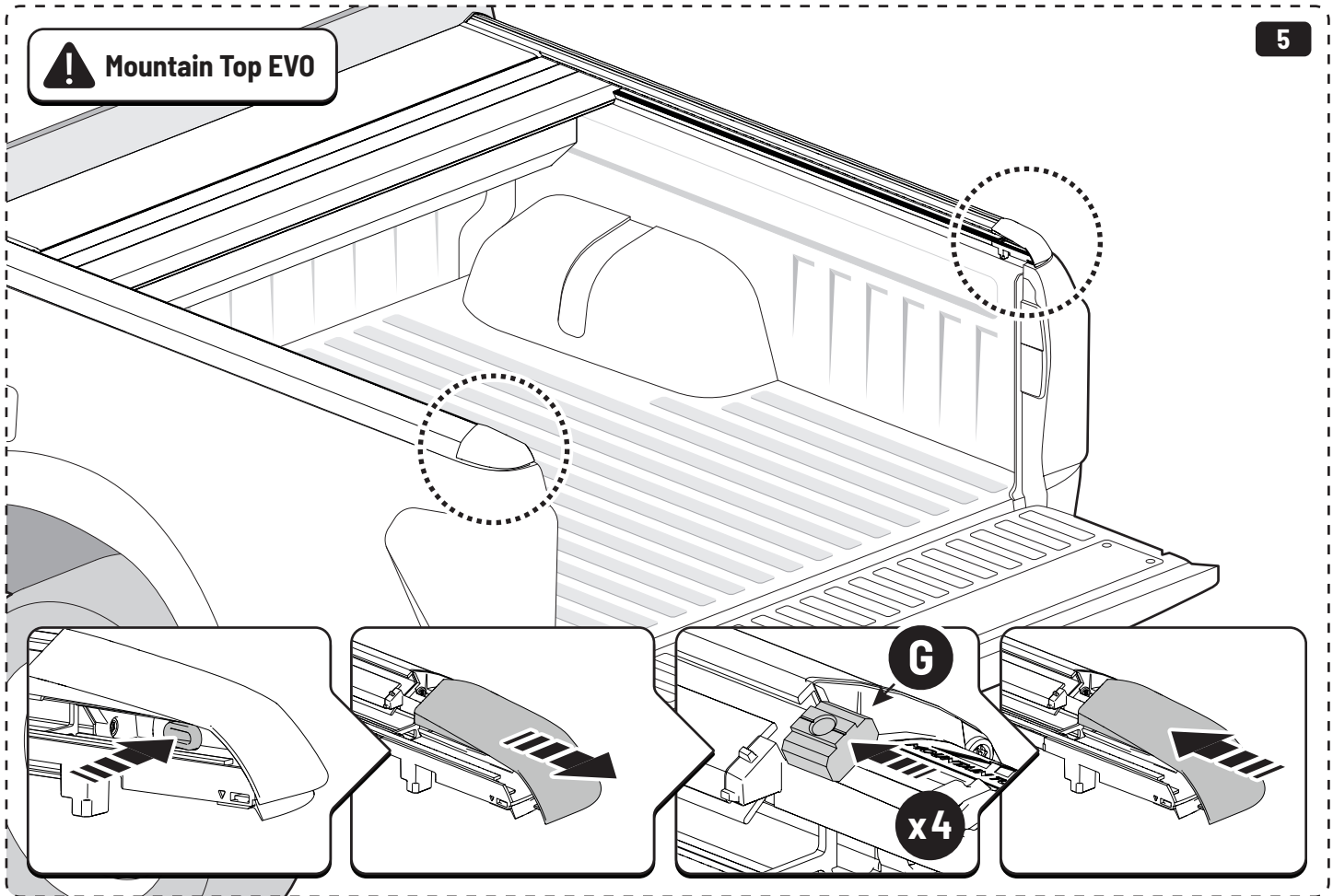


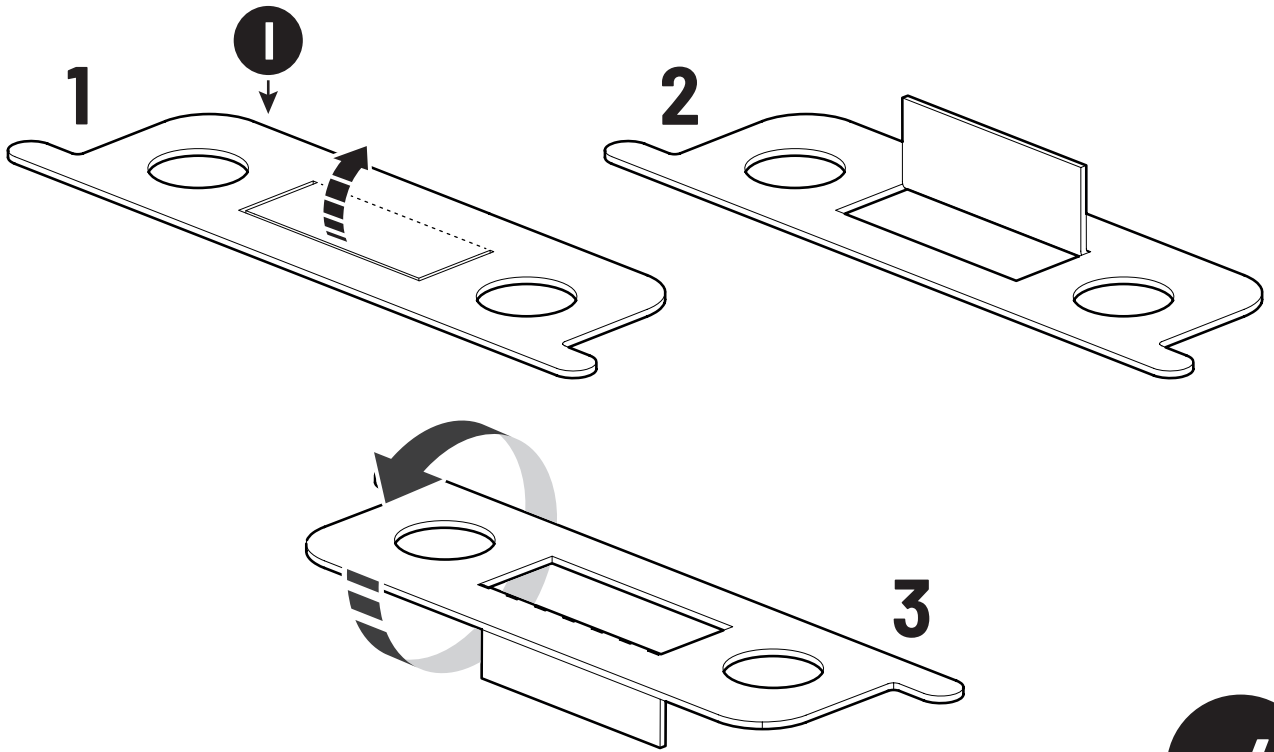
1 - 25 Nm



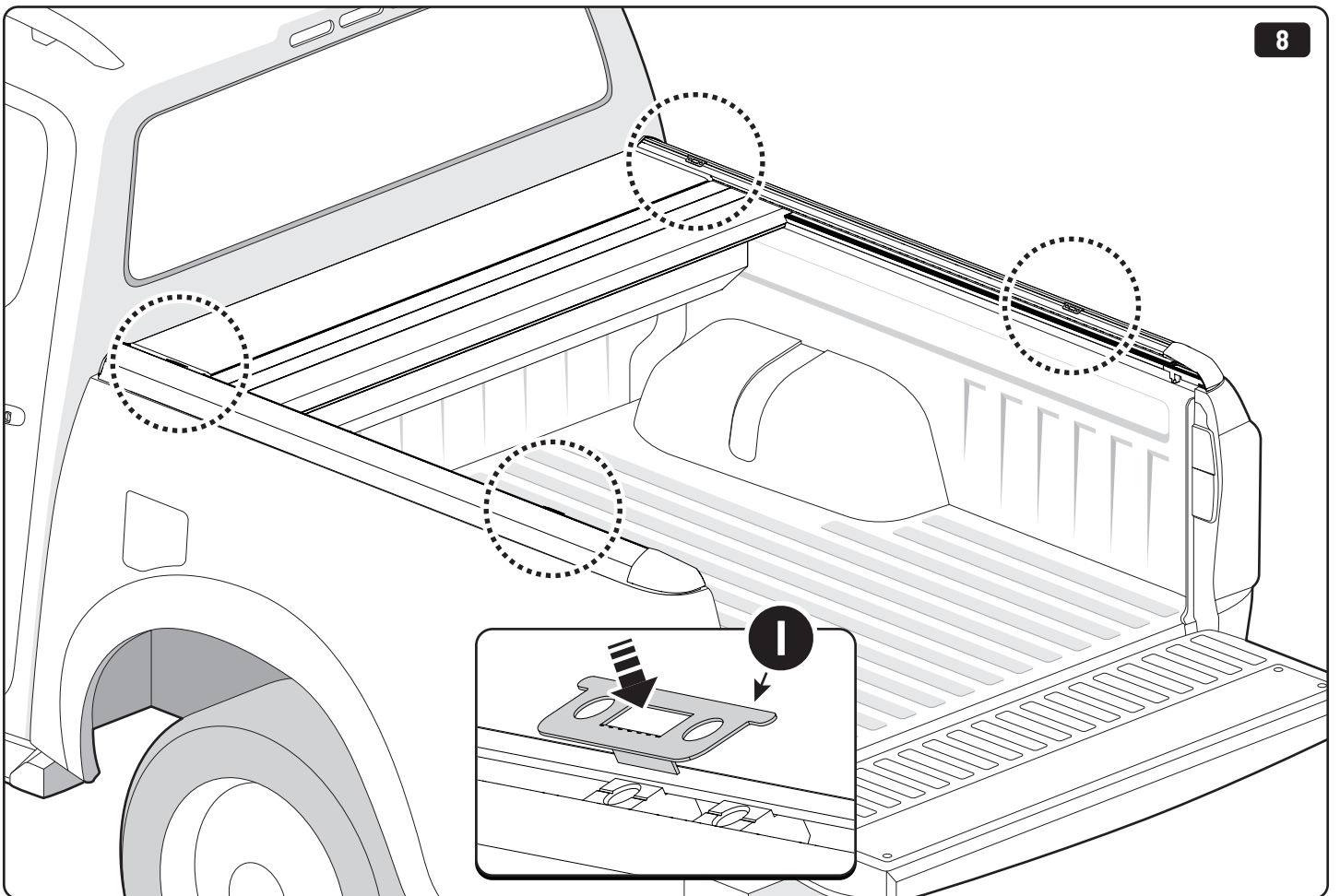




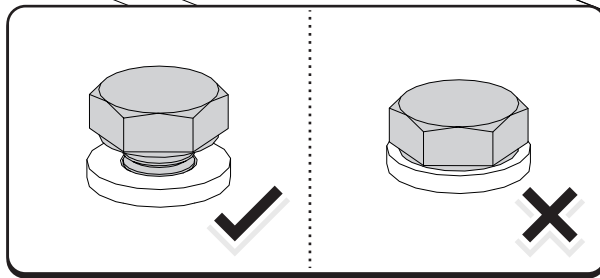
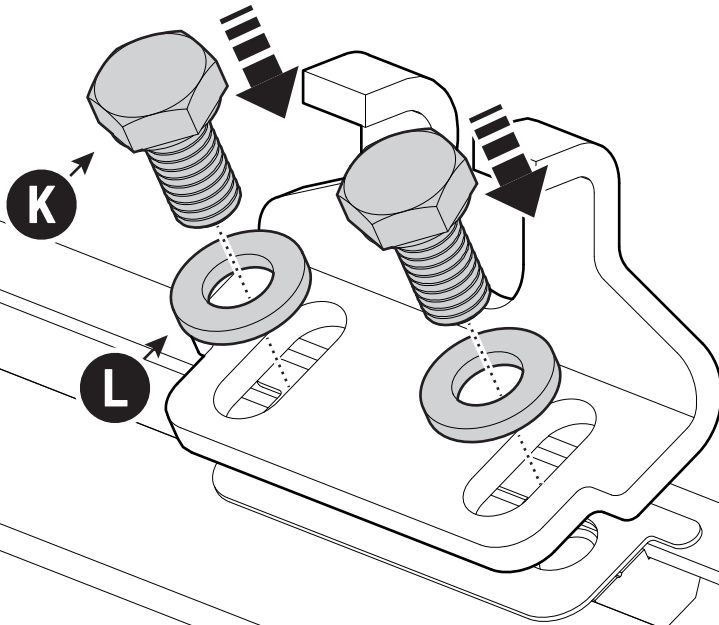




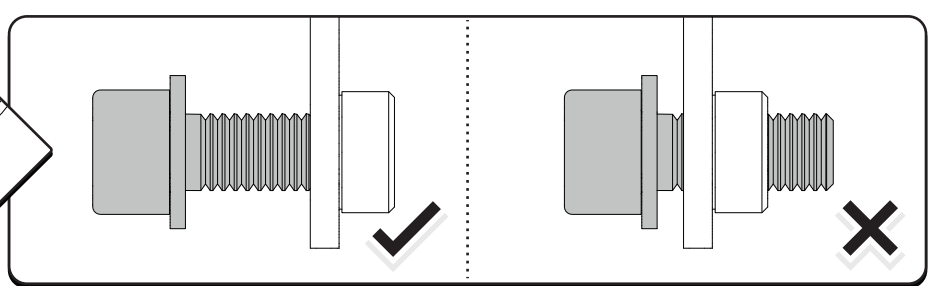
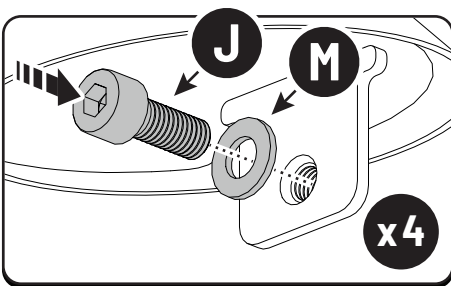
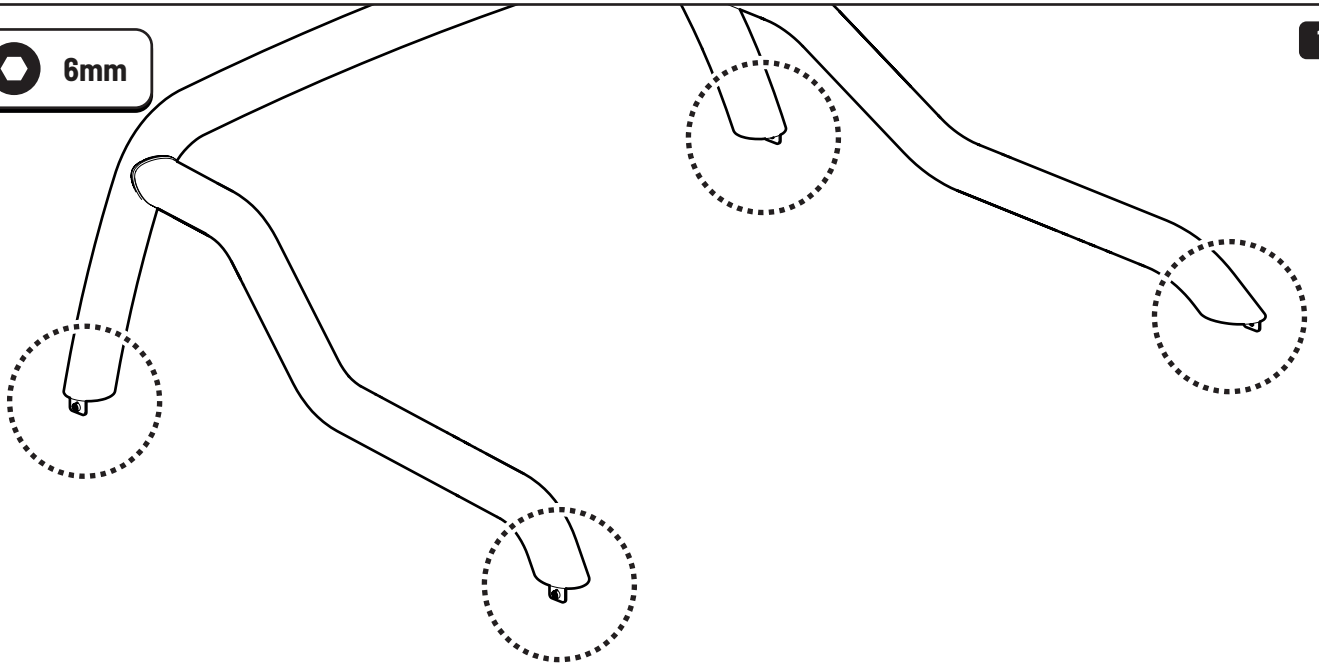
x4

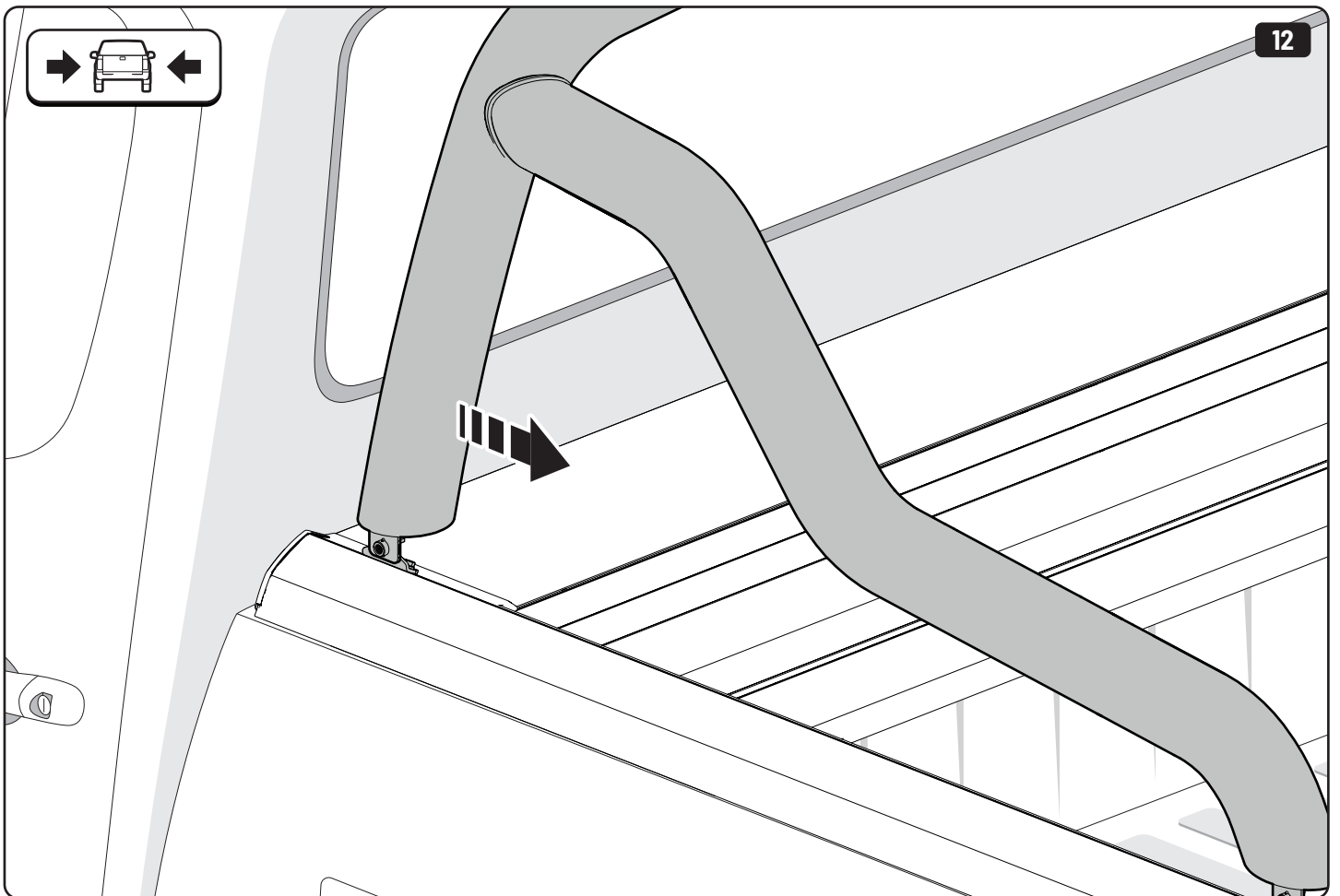
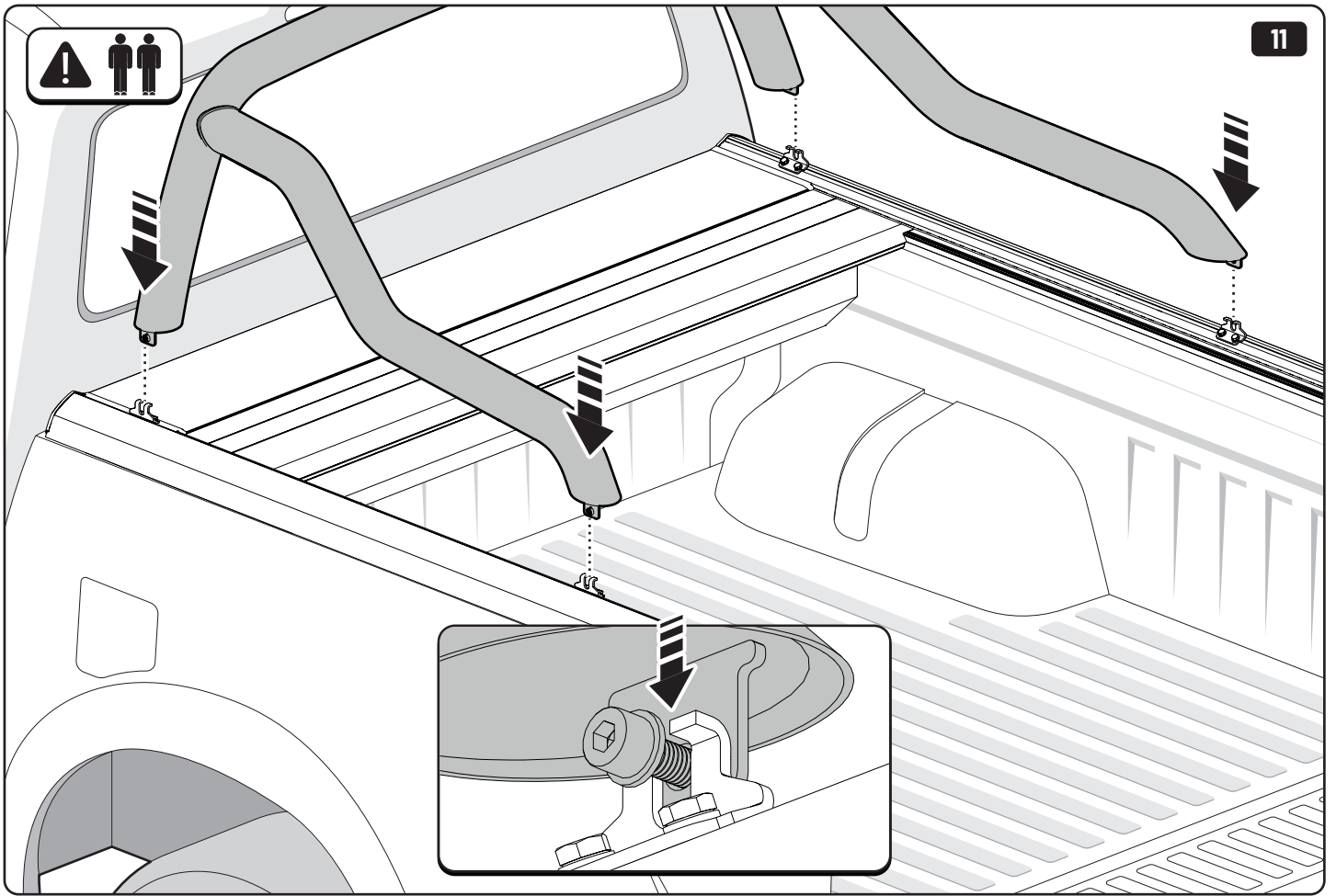


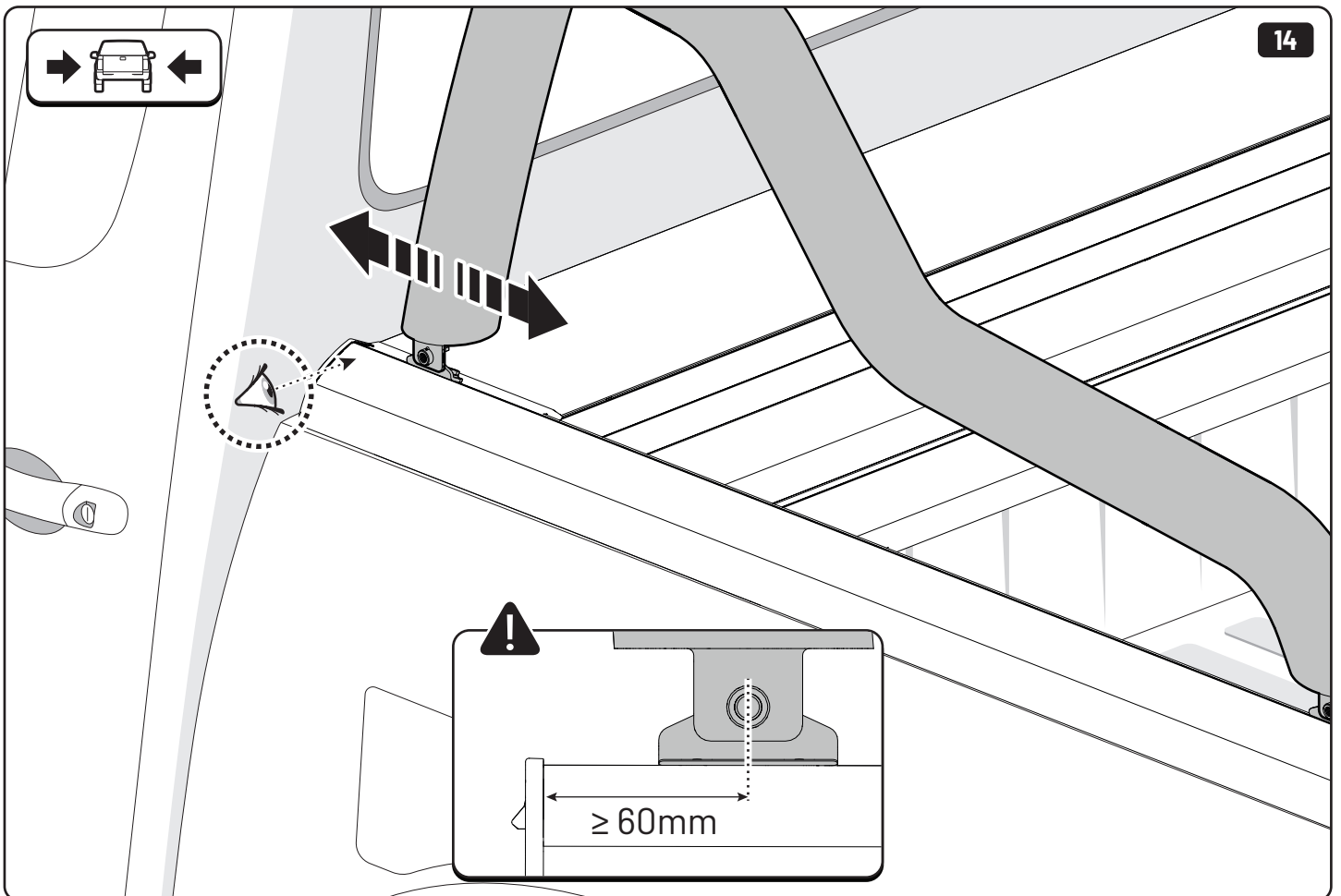
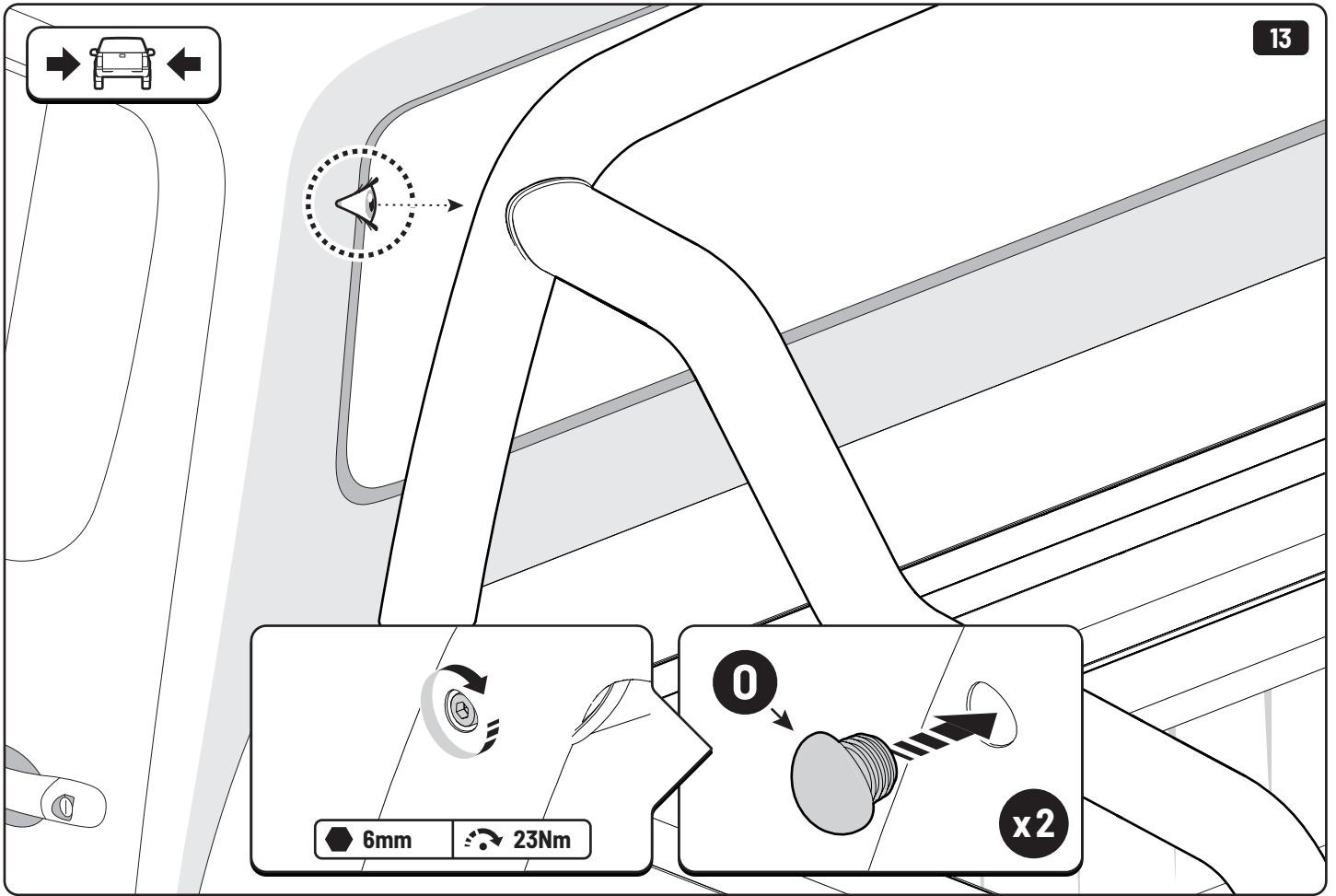
10mm

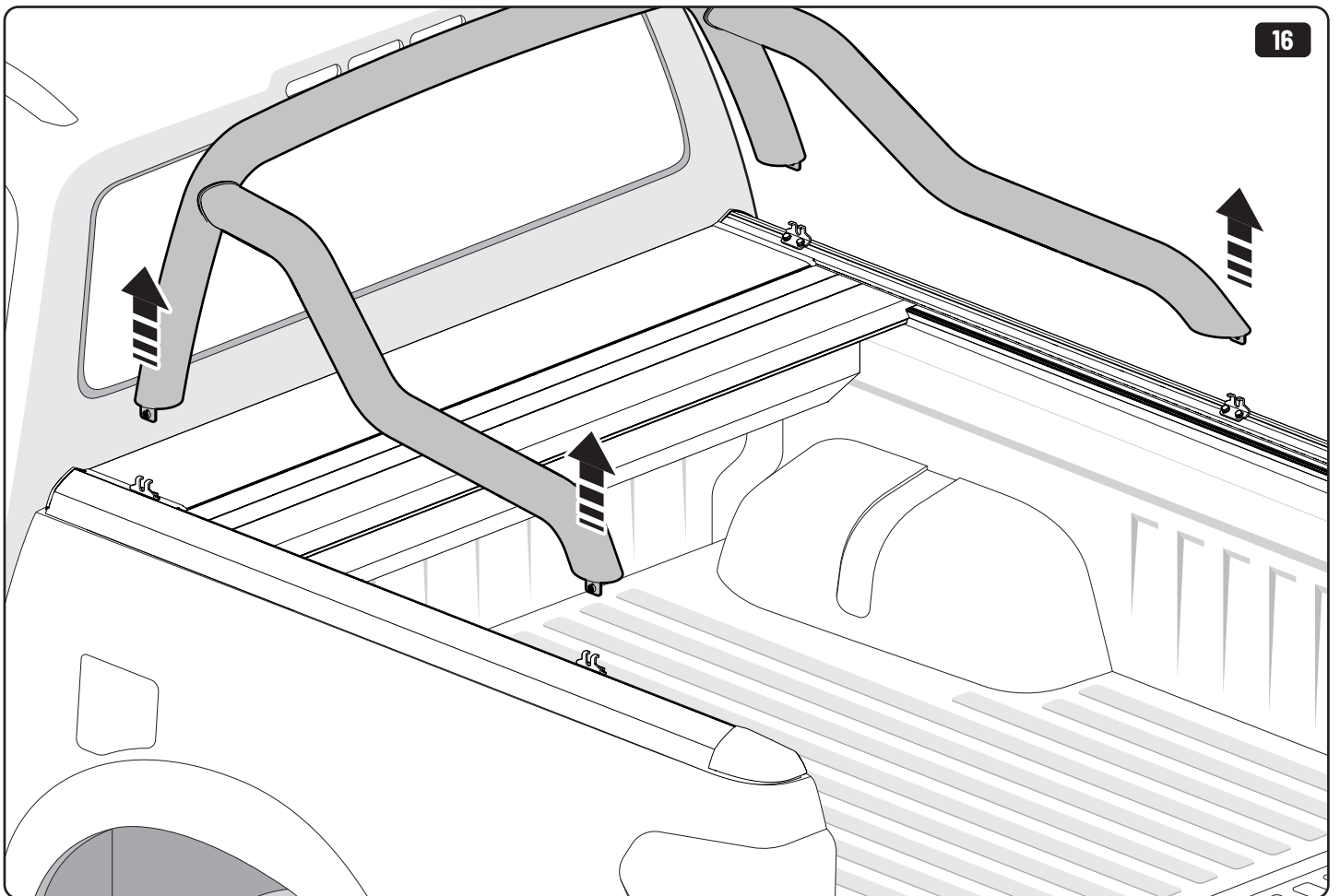
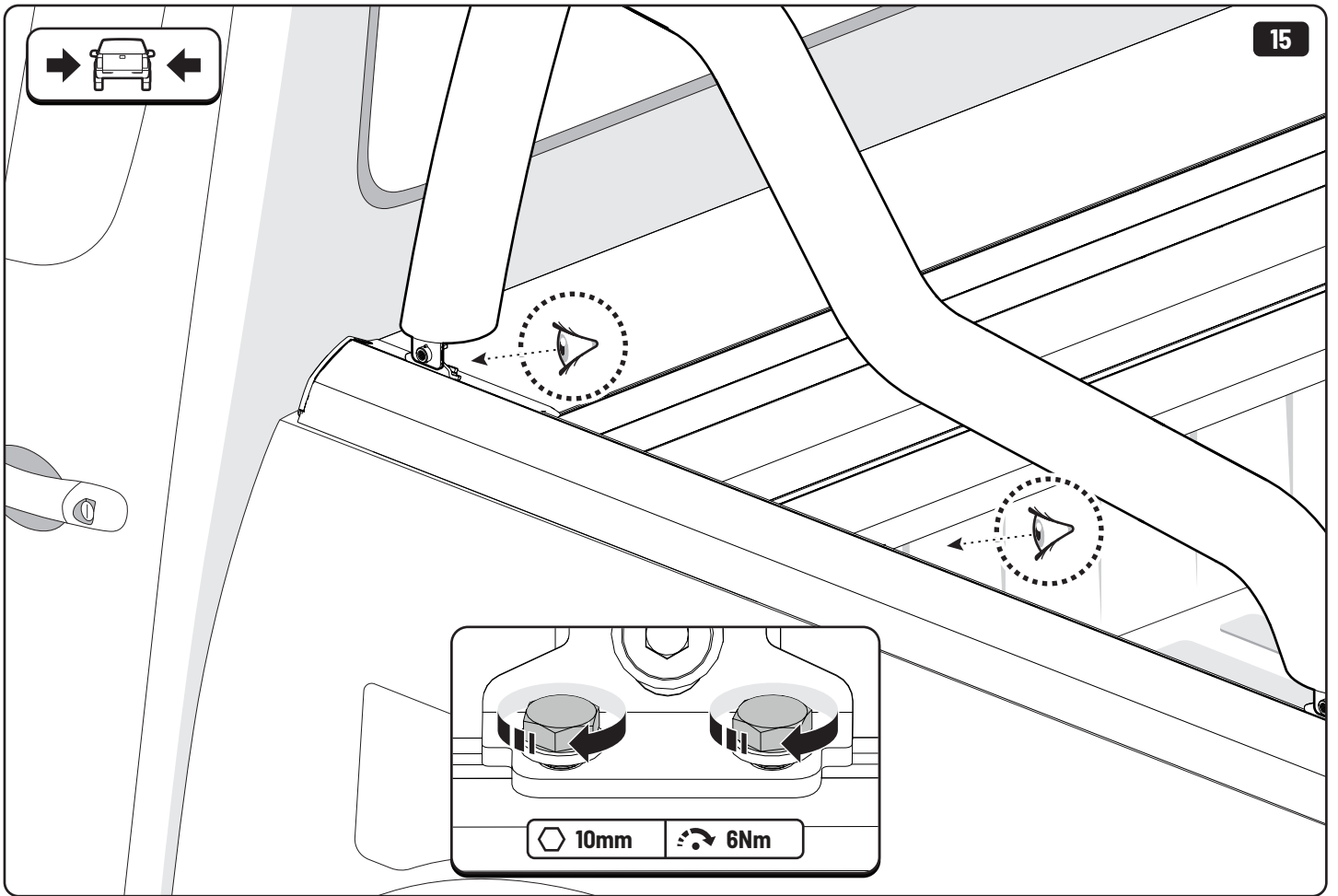


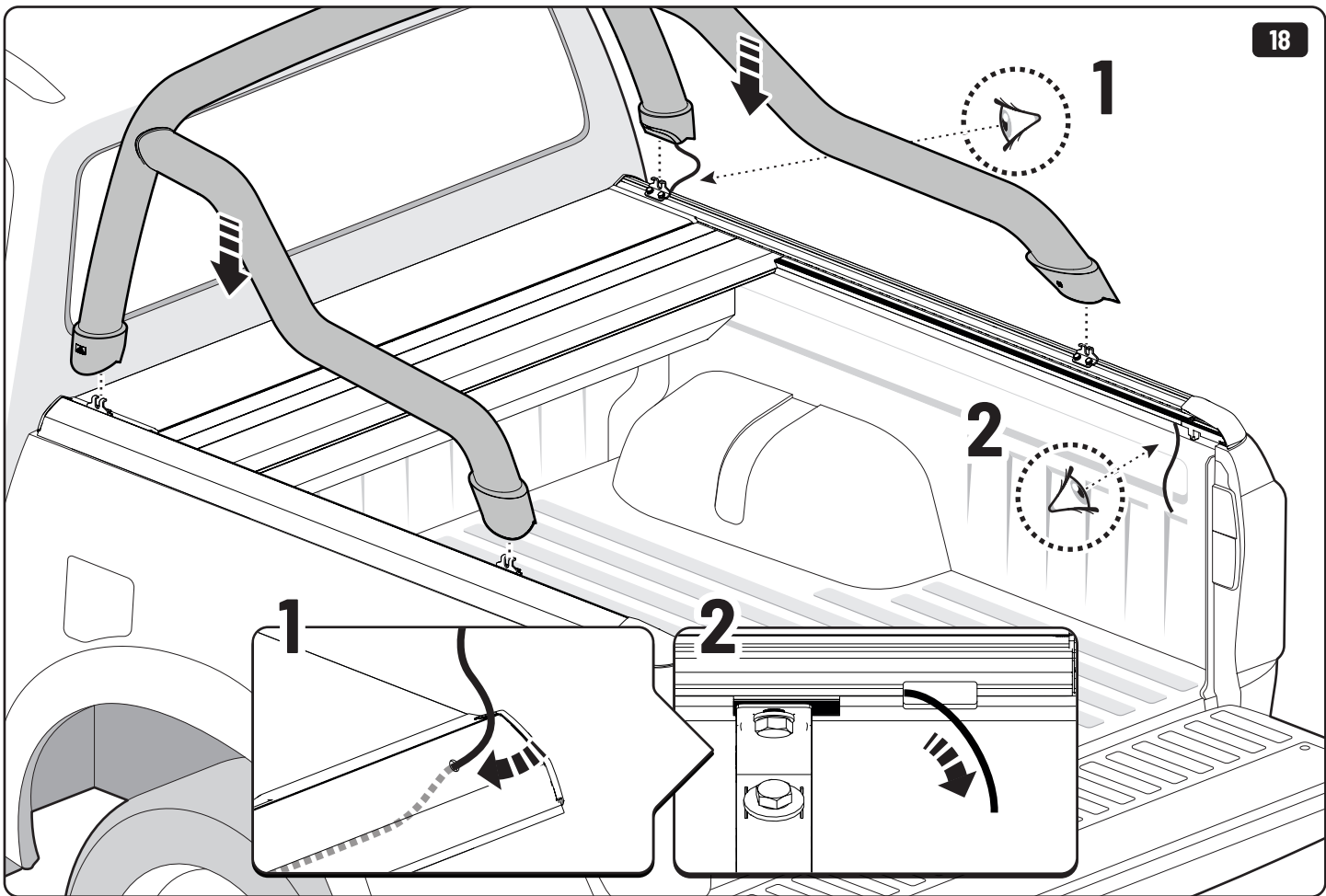
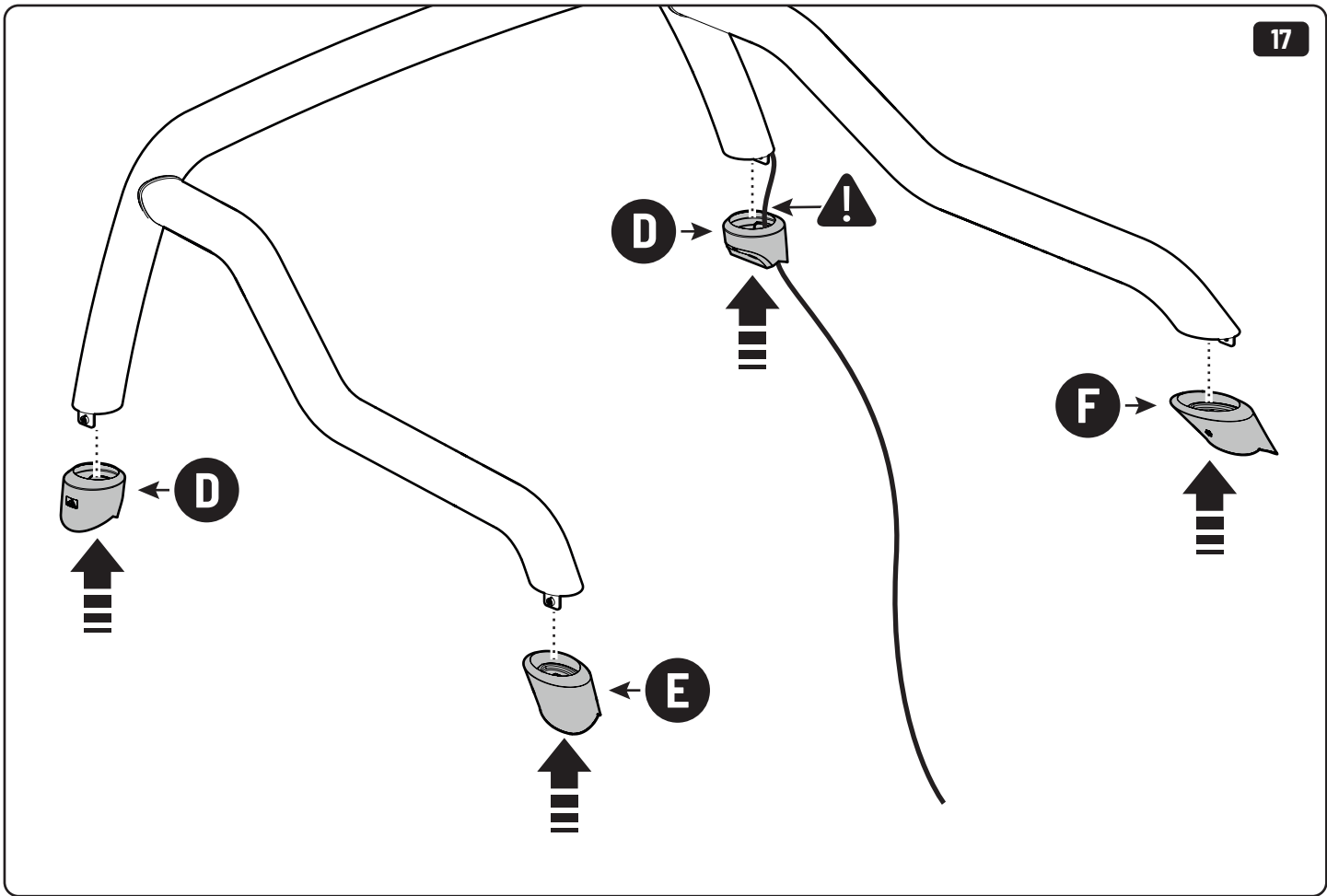
6mm

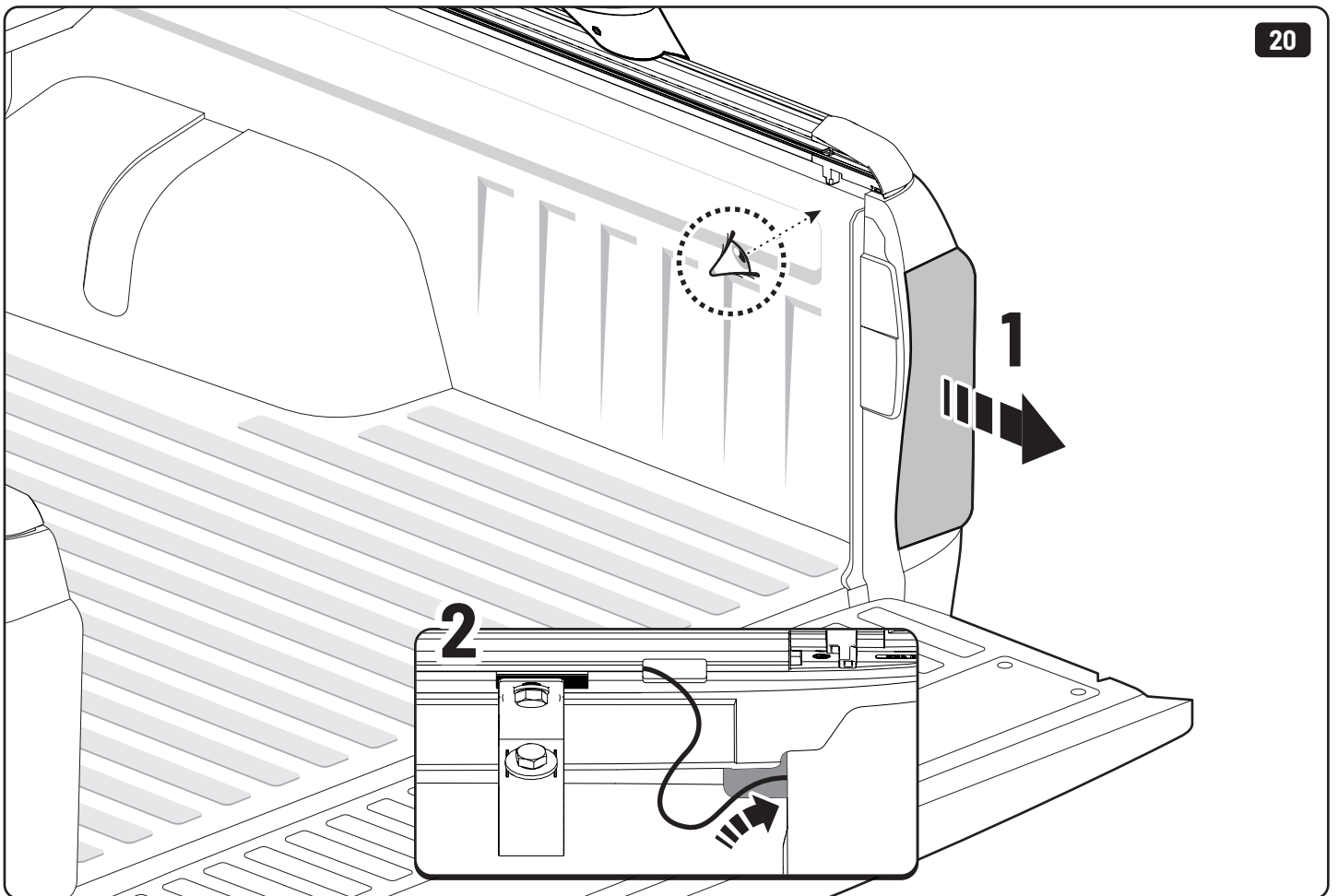
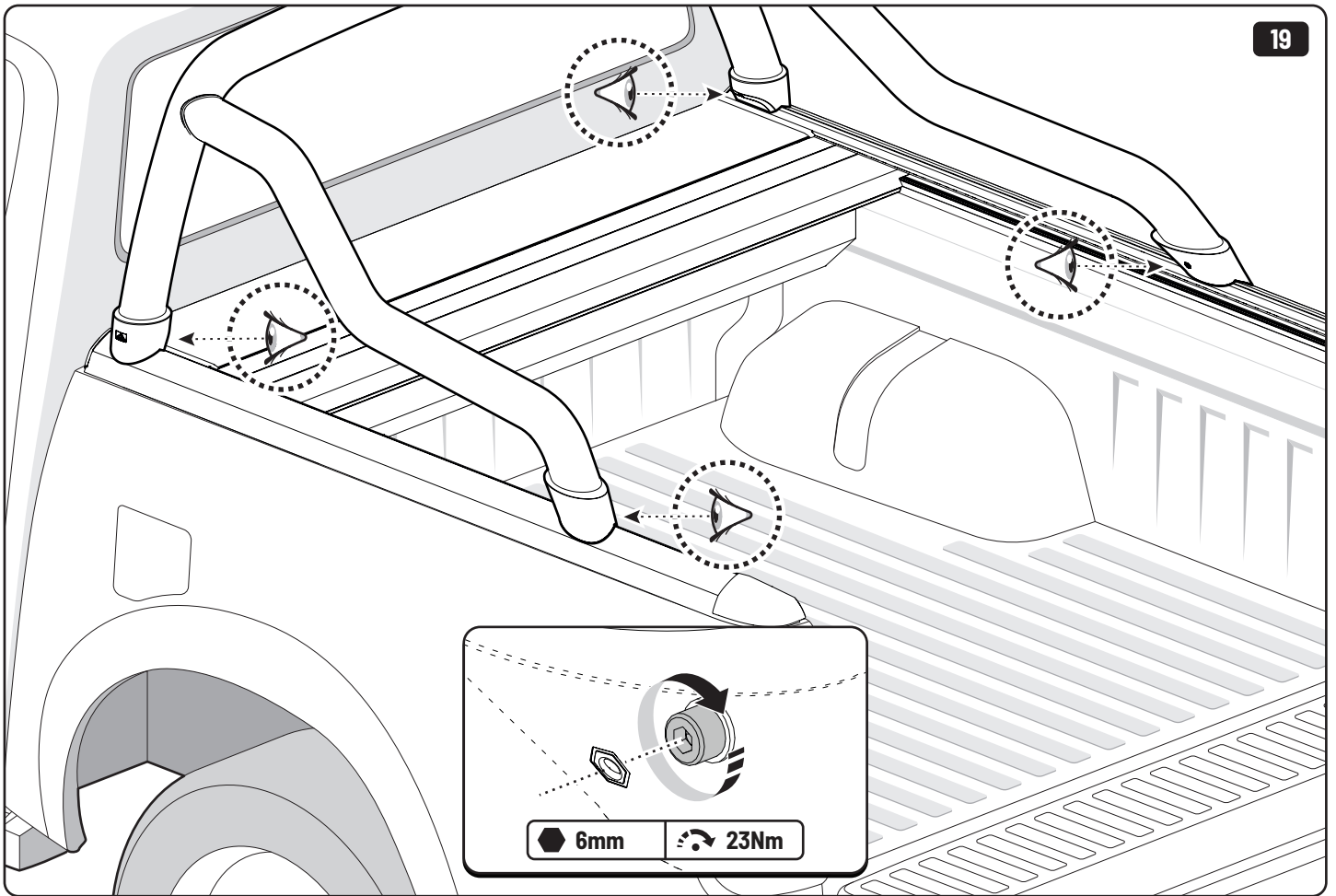


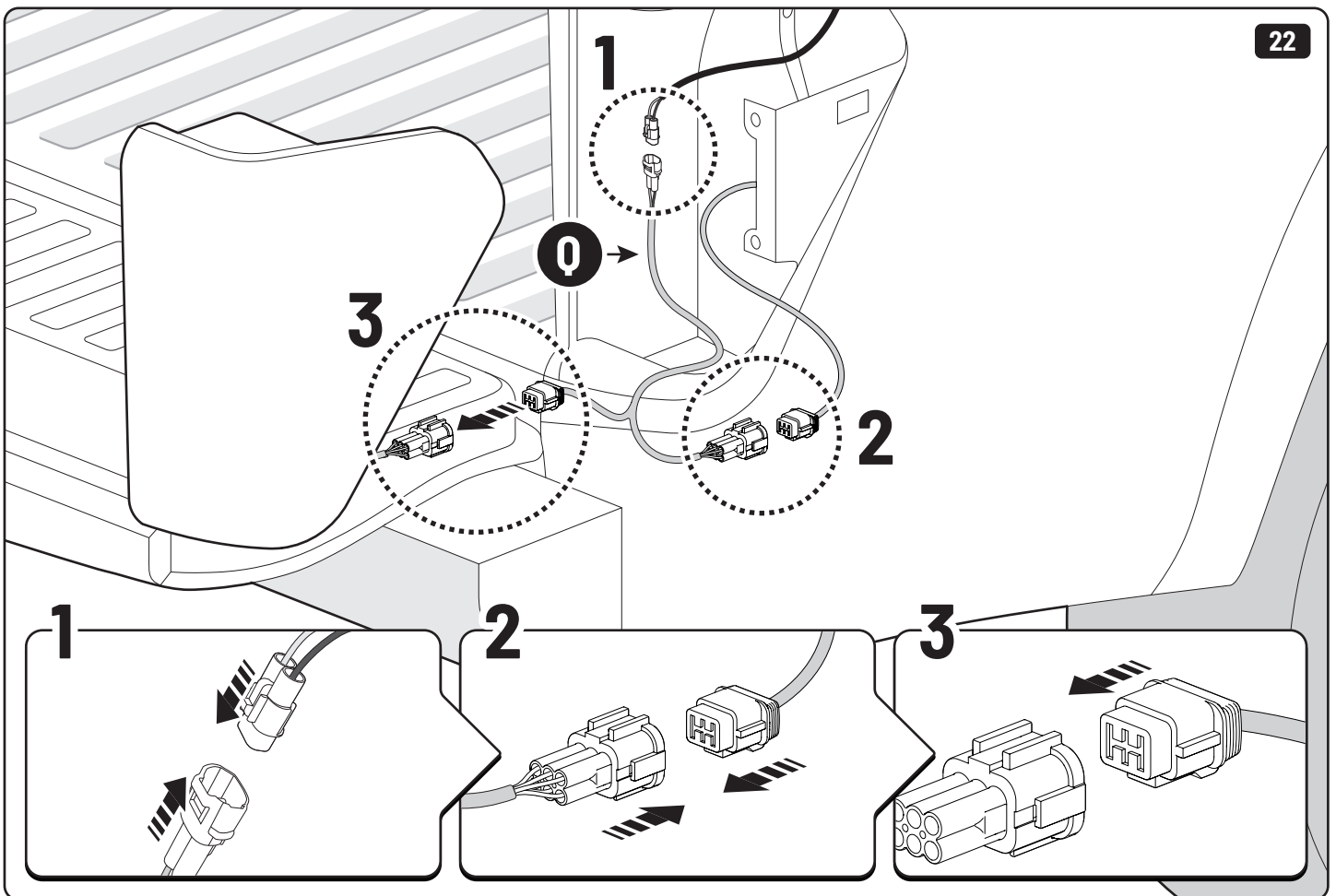
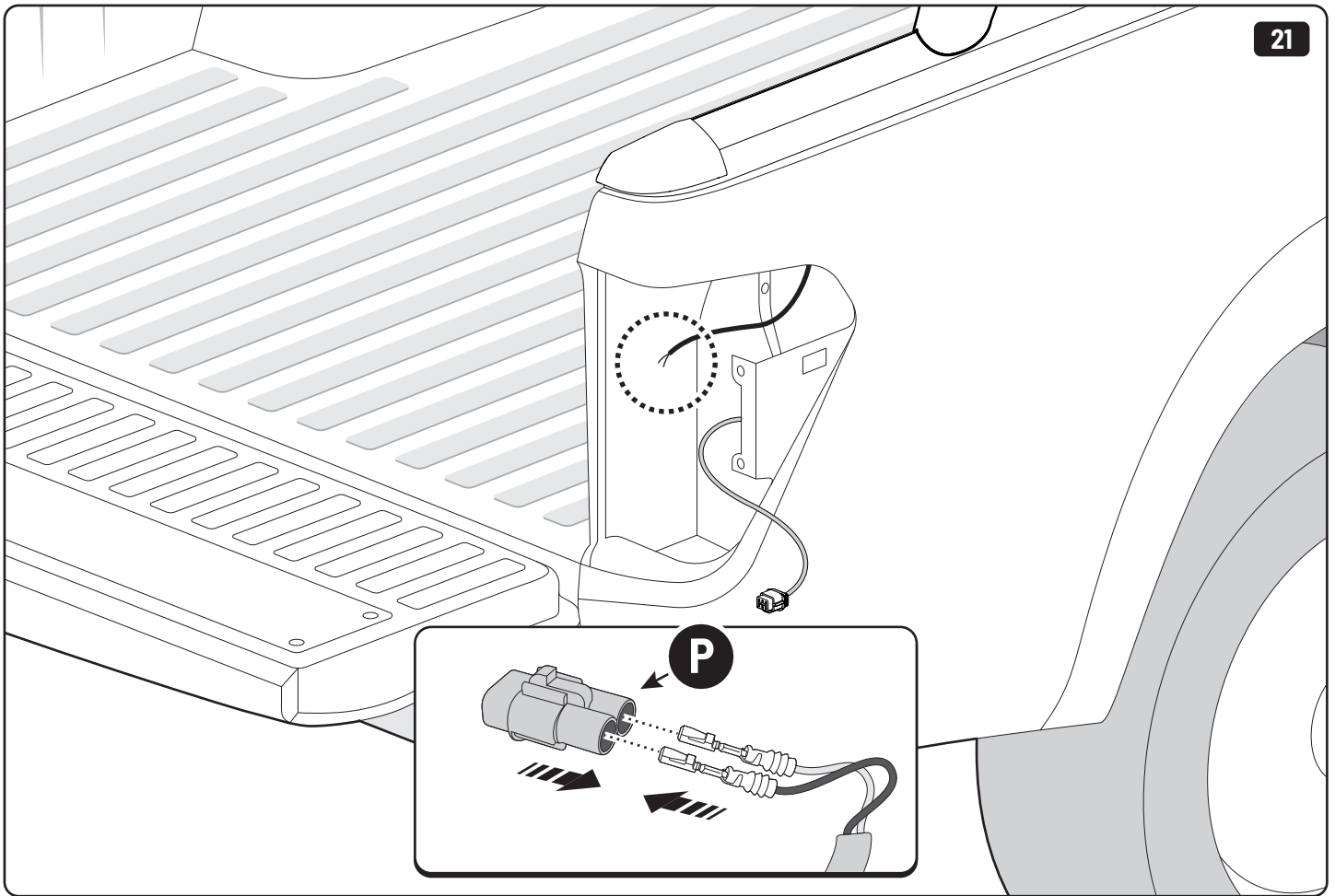


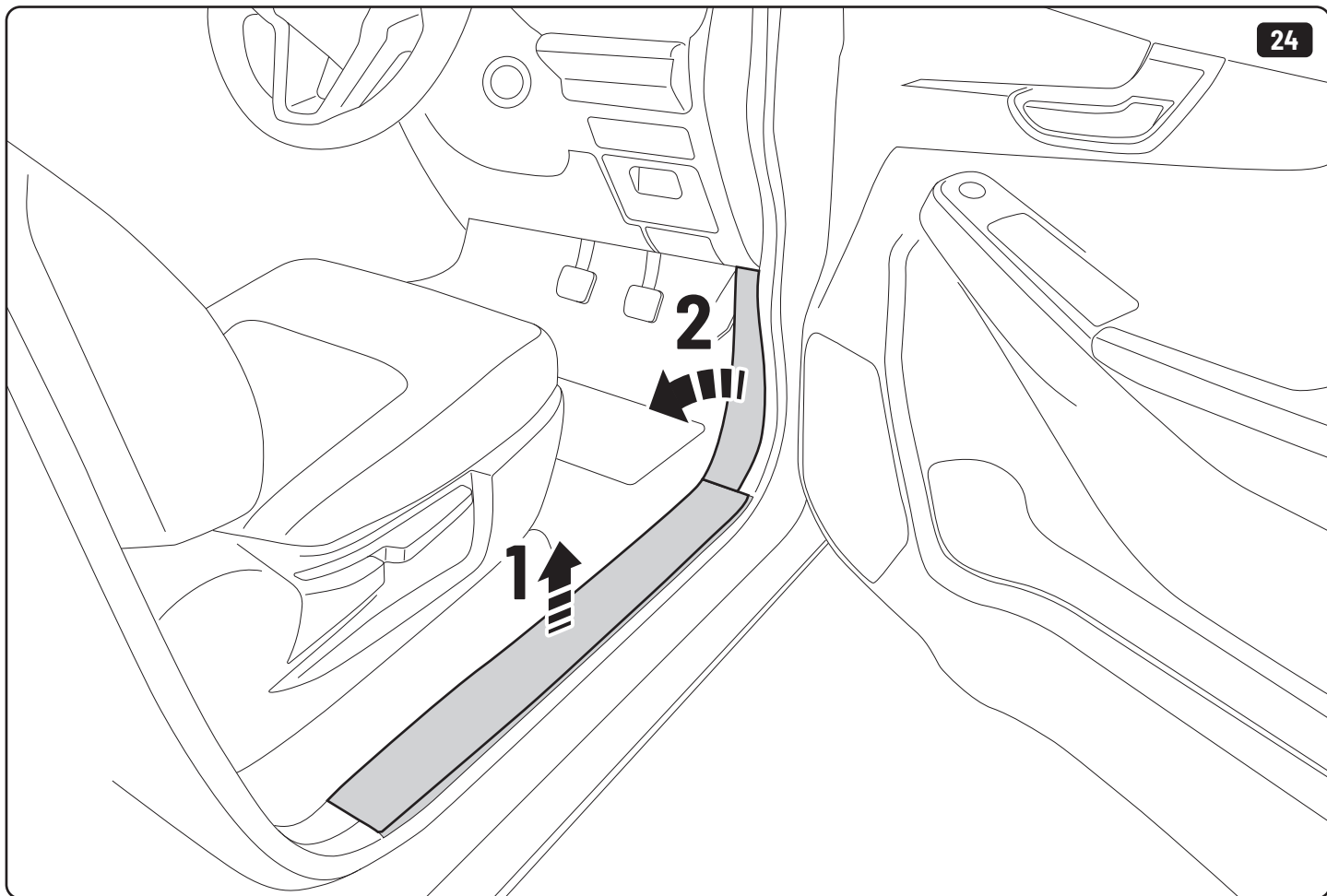
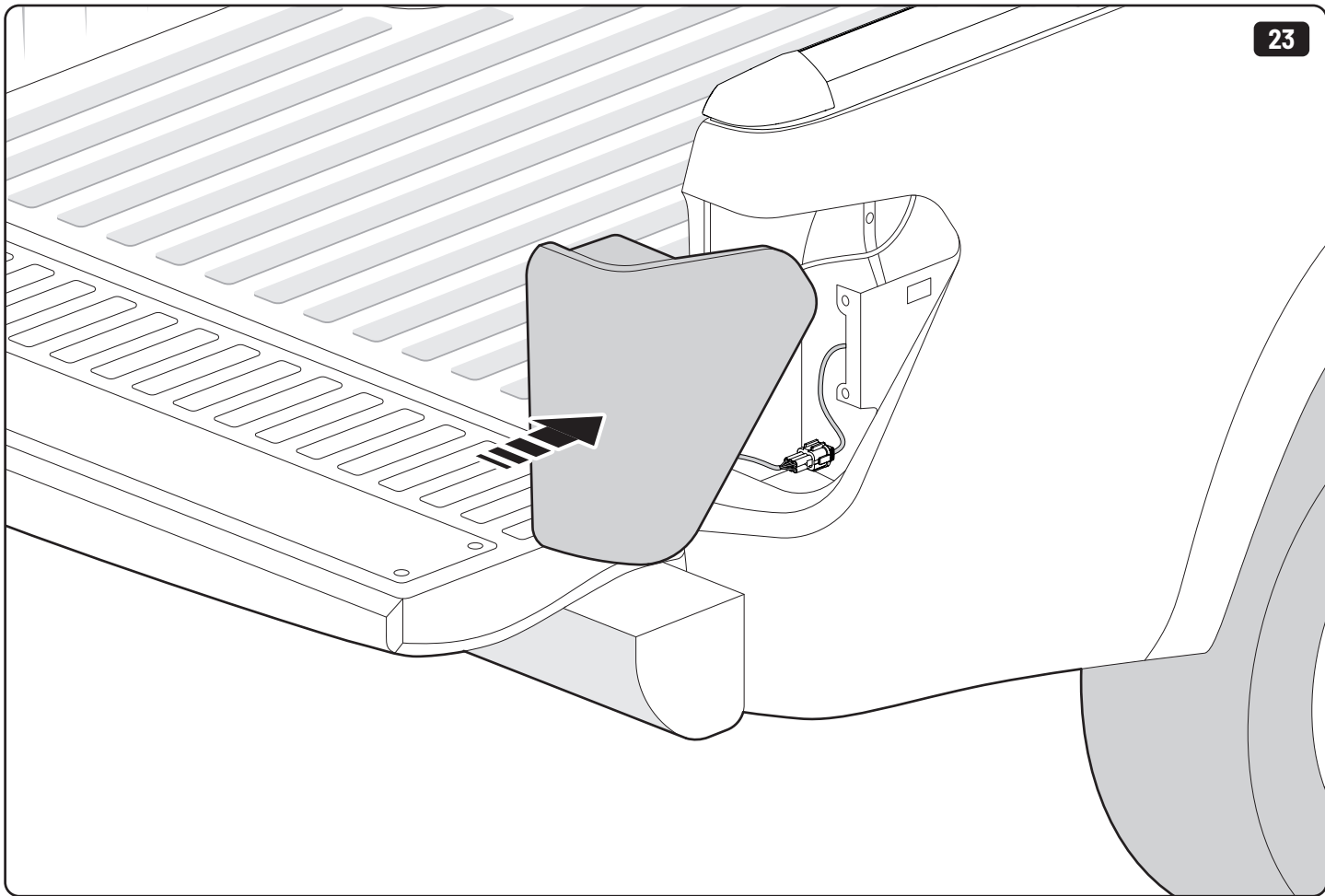


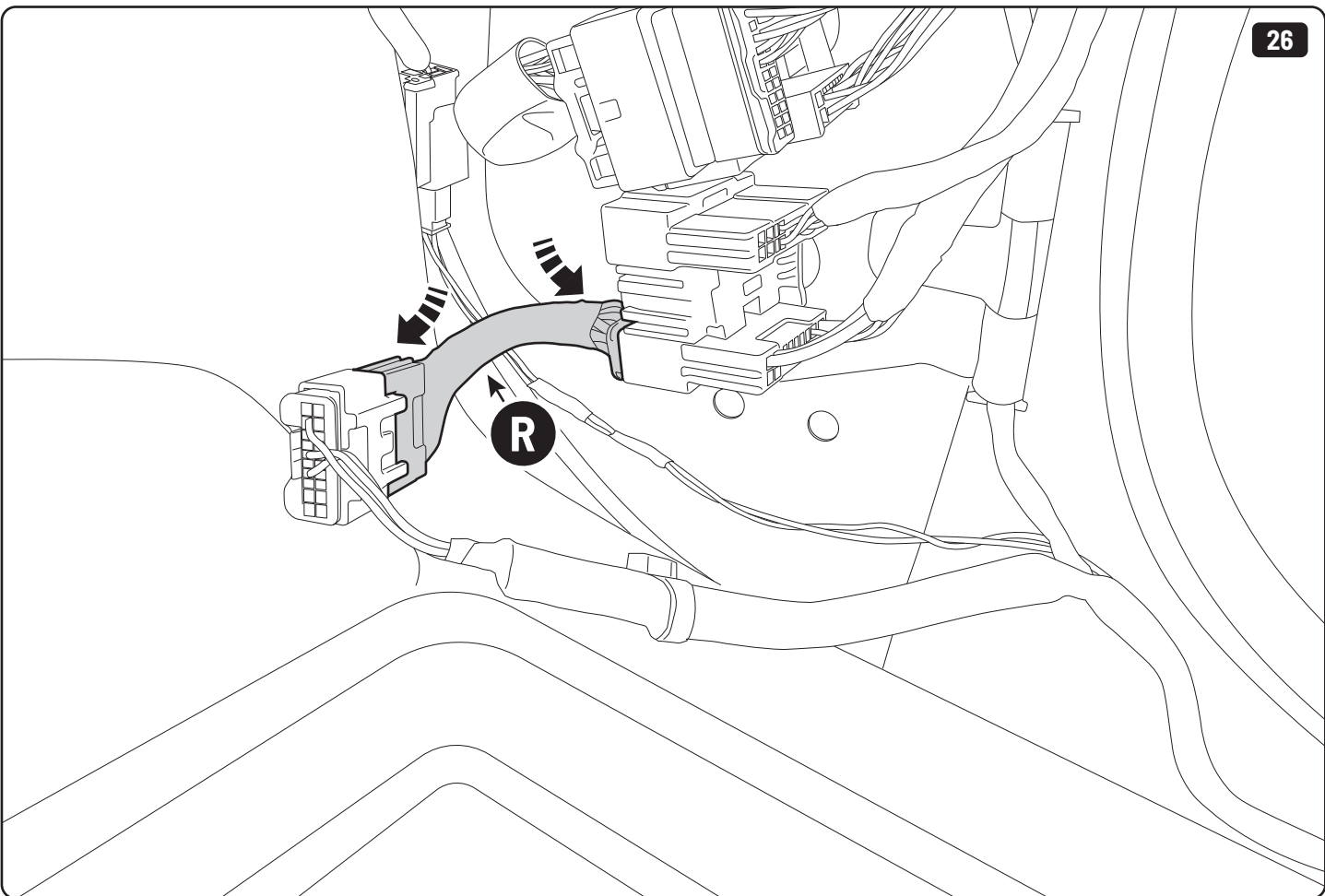
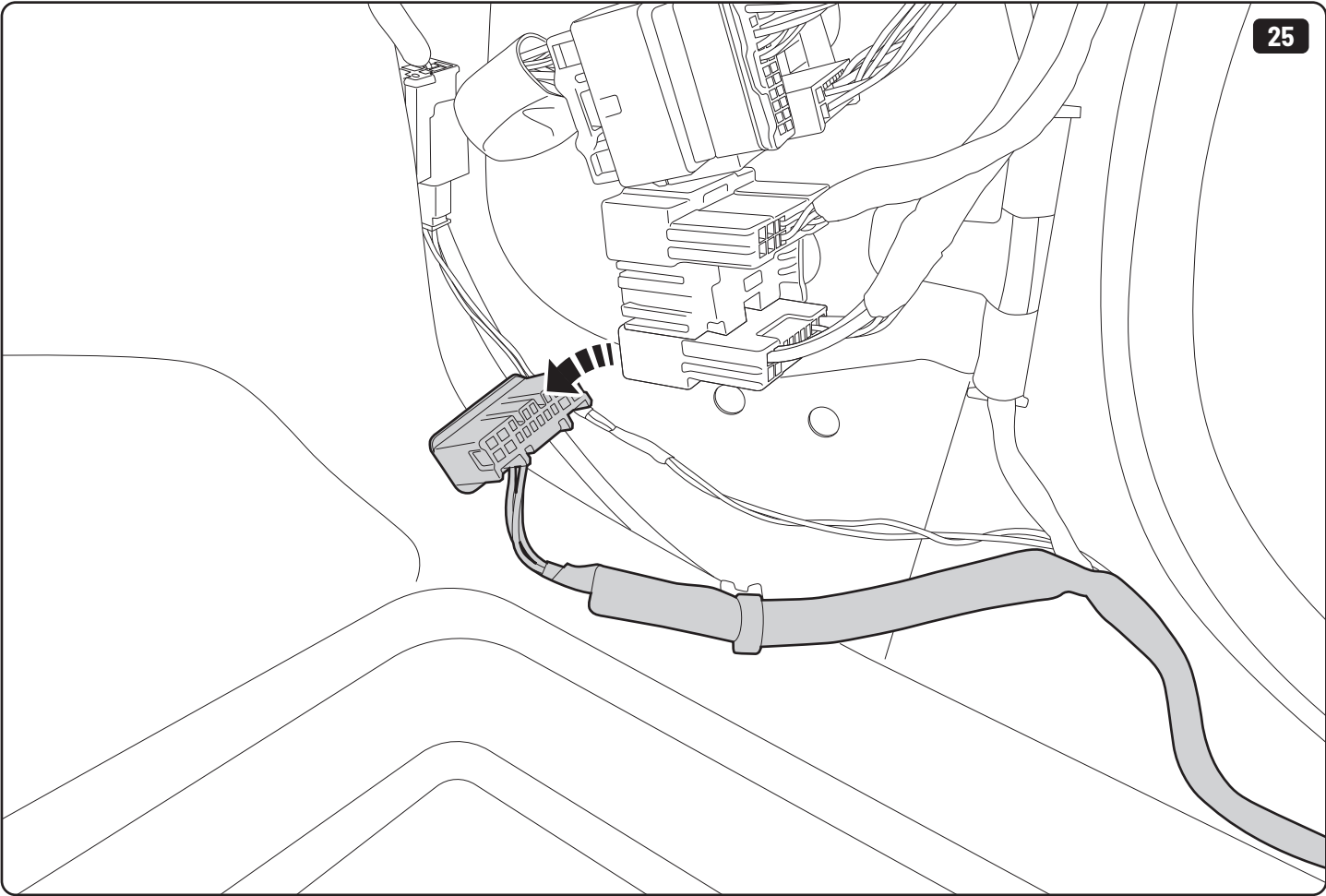


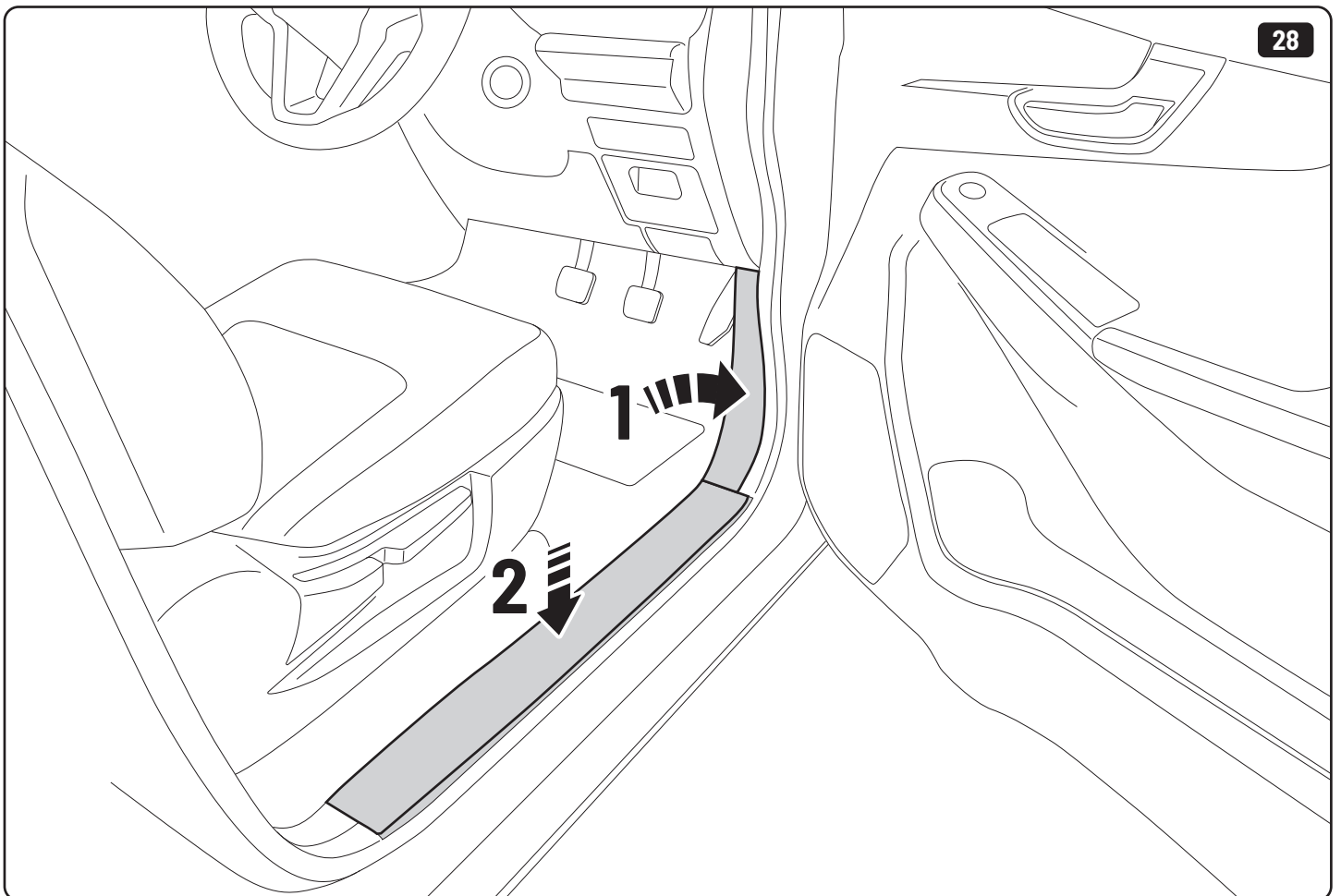
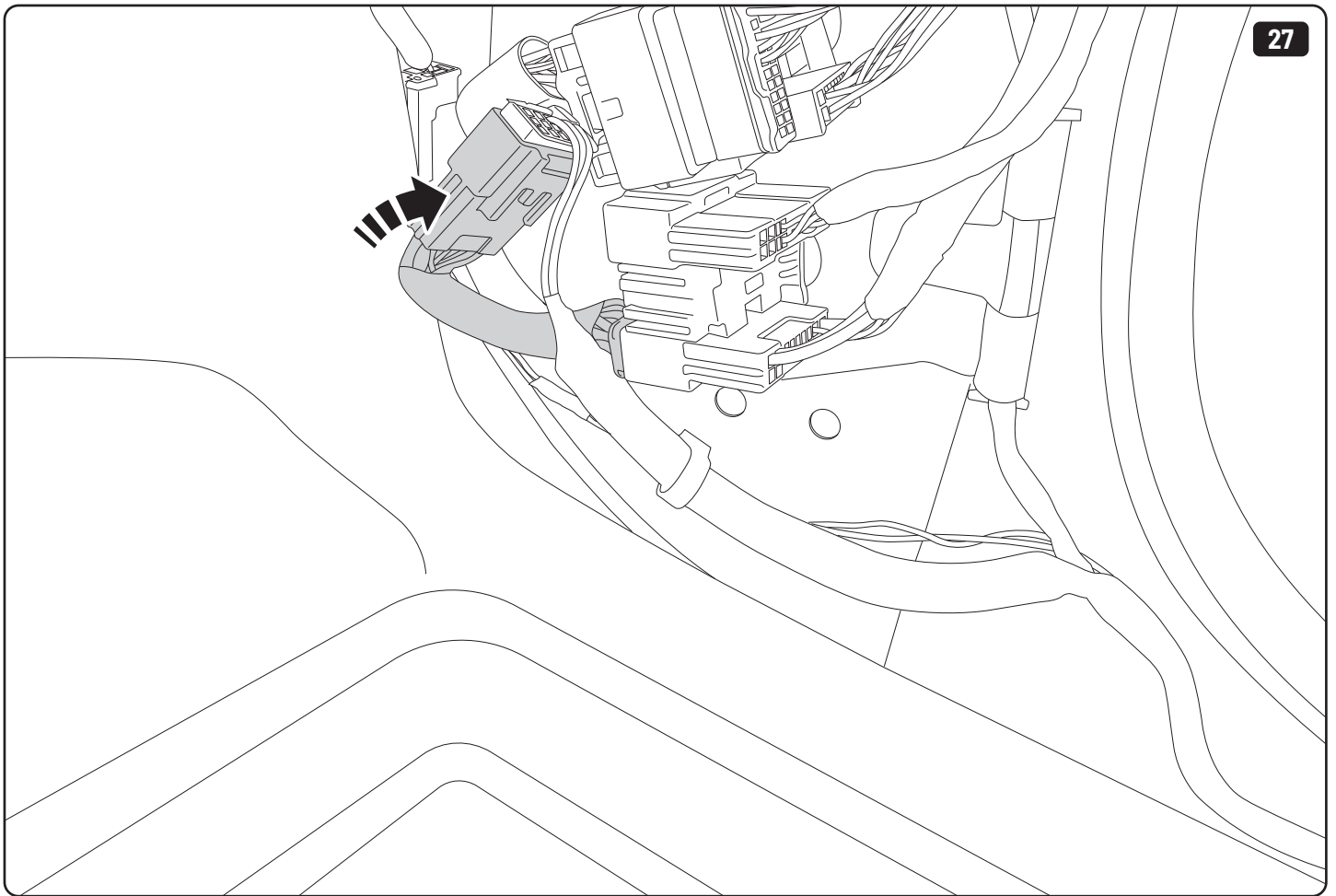














Customer Service +45 4810 2950 (08:00 - 16:00 CET)
Support info@mountaintop.dk
Website www.mountaintop.dk
Address Pedersholmparken 10, 3600 Frederikssund, Denmark

| Part number (s) | Model / Year | Cab type (s) | Installation time | Weight |
|-----------------|----------------------|----------------|-------------------|--------|
| SBE IS10 | Isuzu D-MAX / 2020 → | Double / Extra | 1 hour | 13 Kg |
| SB IS10 | Isuzu D-MAX / 2020 → | Double / Extra | 1 hour | 13 Kg |

| | | |
|-----------------------------------|------------------------------------|-------------------------------------|
| GB Installation manual | S Monteringsanvisning | D Einbauanleitung |
| SF Asennusohje | E Instrucciones de montaje | CZ Návod k instalaci |
| F Notice de montage | H Szerelési utasítás | I Istruzioni de montaggio |
| PL Instrukcja montażu | P Instruções de instalação | GR Οδηγίες Εγκατάστασης |
| NL Installatie-instructies | RUS Инструкция по установке | DK Monteringsvejledning |
| TR Montaj Talimatı | N Monteringsveiledning | RO Instructiuni de instalare |